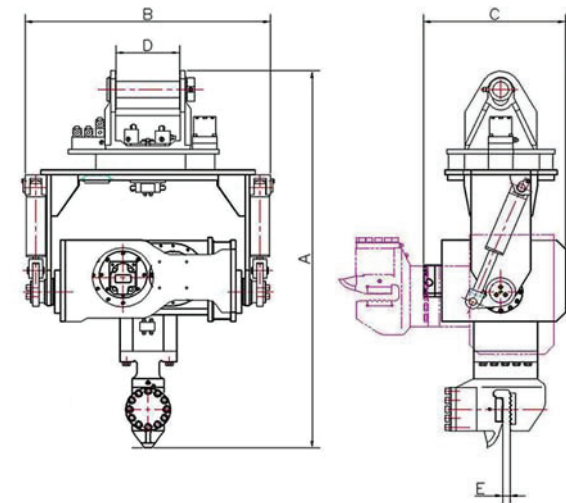


# PILE DRIVER TILTING XTPD SERIES

23 - 50 TONS EXCAVATOR CLASS  
50,000 - 110,000 LBS



- 360 degree rotation and 90 degree tilting



		Units	XTPD350T	XTPD600T	XTPD700T	XTPD850T
Eccentric Moment	in.lbs	304	530	608	738	
	kgm	3.5	6.1	7	8.5	
Frequency	vpm	3000	2750	2700	2700	
Centrifugal Force	lbs	67443	112404	125893	152870	
	kN	300	500	560	680	
Amplitude	inch	0.27	0.35	0.55	0.63	
	mm	6.8	8.8	14	16	
Hydraulic Operating Pressure	bar	200	250	250	250	
	psi	2900	3600	3600	3600	
Hydraulic Setting Pressure	bar	250	270	270	270	
	psi	3600	3900	3900	3900	
Oil Quantity	l/min	180	220	330	330	
	gpm	48	58	87	87	
Hydraulic Motor Power	kw	60	153	177	177	
	hp	79	201	241	241	
Dimension	Height (A)	inch	82.6	82.6	93.6	93.7
		mm	2100	2100	2380	2380
	Length (B)	inch	52	53.7	57.5	58.4
		mm	1320	1363	1460	1484
	Width (C)	inch	30	29.8	30.7	30.7
		mm	762	757	780	780
Upper Pin (D)	inch	13.5	13.5	13.5	13.5	
	mm	345	345	345	345	
Clamping Jaw (E)	inch	1.6	1.6	1.6	1.6	
	mm	40	40	40	40	
Turning	degree	360	360	360	360	
Tilting	degree	90	90	90	90	
Weight	Main Body	lbs	4211	4519	5644	5952
		kg	1910	2050	2560	2700
	Extension Boom	lbs	1298	1386	1452	1452
		kg	590	630	660	660
Applicable Excavator	Ton	23~32	23~32	36~45	42~50	